

ADVANCED SCHEDULE AA-23 (2022-2023)

	K-Factor
AA-23.01 Pyramid with quarter roll, quarter roll	K 3
AA-23.02 Crossbox Top Hat with quarter roll, half roll, quarter roll	K 3
AA-23.03 Loop with roll integrated	K 5
AA-23.04 Shark Fin with half roll, half roll	K 3
AA-23.05 Torque Roll	K 4
AA-23.06 Half Hourglass	K 3
AA-23.07 Rolling Circle	K 5
AA-23.08 Figure ET with half roll	K 3
AA-23.09 Crossbox Figure Z with quarter roll, half roll, quarter roll	K 4
AA-23.10 Stall Turn with quarter roll, quarter roll	K 3
AA-23.11 Square Loop with quarter roll, quarter roll	K 4
	Total K = 40

PRELIMINARY SCHEDULE AP-23 (2022-2023)

	K-Factor
AP-23.01 Pyramid with quarter roll, half roll integrated, quarter roll	K 3
AP-23.02 Crossbox Top Hat with half roll, half roll, half roll	K 3
AP-23.03 Loop with half roll integrated, half roll in opposite direction integrated	K 5
AP-23.04 Shark Fin with quarter roll, half roll, quarter roll	K 3
AP-23.05 Three quarter Torque Roll, Upline, three quarter Torque Roll in opposite direction	K 4
AP-23.06 Half Hourglass with two consecutive quarter rolls, roll, half roll	K 4
AP-23.07 Rolling Circle with two rolls in opposite directions	K 5
AP-23.08 Figure ET with quarter roll, quarter roll	K 3
AP-23.09 Crossbox Figure Z with quarter roll, four consecutive one eighth rolls, quarter roll	K 5
AP-23.10 Stall Turn with three quarter roll, quarter roll	K 3
AP-23.11 Square Loop with quarter roll, quarter roll, quarter roll, quarter roll	K 5
	Total K = 43

FINAL SCHEDULE AF-23 (2022-2023)

	K-Factor
AF-23.01 Square Loop with half roll, quarter roll, two consecutive quarter rolls, quarter roll	K 4
AF-23.02 Double Stall Turn with half roll, half roll, half roll	K 3
AF-23.03 Double Humpty Bump with quarter roll, half roll integrated, quarter roll, quarter roll, half roll integrated, quarter roll	K 5
AF-23.04 Half Square Loop with four consecutive one quarter torque rolls	K 4
AF-23.05 Loop Crossbox Circle Combination with half roll integrated, half roll integrated, half roll integrated, half roll integrated	K 6
AF-23.06 Half Loop with two consecutive quarter rolls in opposite directions integrated	K 4
AF-23.07 Crossbox Top Hat with quarter roll, two consecutive one eighth rolls, two consecutive one eighth rolls in opposite direction, quarter roll.	K 4
AF-23.08 Corner Combination with half roll integrated, quarter roll, half roll integrated	K 3
AF-23.09 Triangle with quarter roll, half roll integrated, quarter roll	K 5
AF-23.10 Reverse Shark Fin from Top with quarter roll, half roll, quarter roll	K 4
AF-23.11 Triangle Crossbox Square Combination with quarter roll, three consecutive one eighth rolls, half roll, three consecutive one eighth rolls, quarter roll	K 6
	Total K = 48

The descriptions of the manoeuvres and the Aresti diagrams for F3P-AP and F3P-AF appear in Annex 5M.

An explanation of the Aresti diagrams appears in F3A Annex 5A.

The Manoeuvre Execution Guide appears in F3A Annex 5B.

SCHEDULE F3P-AFM

AM1. Take-off

AM2. Freestyle (freely composed sequence of manoeuvres choreographed to music of the competitor's choice.)

AM3. Landing

The description of the manoeuvres for F3P-AFM appear at the end of Annex M.

ANNEX 5M**F3P – RADIO CONTROLLED INDOOR AEROBATIC AIRCRAFT
DESCRIPTION OF MANOEUVRES****Advanced – Schedule AA-23 (2022-2023)****AA-23.01 Pyramid with quarter roll, quarter roll**

From upright, pull through a one eighth loop into a forty-five degree upline, perform a quarter roll, perform a quarter knife loop into a forty-five degree knife-edge downline, perform a quarter roll, push through a one eighth loop, exit inverted.

AA-23.02 Crossbox Top Hat with quarter roll, half roll, quarter roll

From inverted, push through a quarter loop into a vertical upline, perform a quarter roll, push through a quarter loop into a crossbox upright horizontal line, perform a half roll, pull through a quarter loop into a vertical downline, perform a quarter roll, pull through a quarter loop, exit upright.

AA-23.03 Loop with roll integrated

From upright, pull through a loop while integrating a roll, exit upright.

AA-23.04 Shark Fin with half roll, half roll

From upright, pull through a quarter loop into a vertical upline, perform a half roll, push through a three eighths loop into a forty-five-degree downline, perform a half roll, push through a one eighth loop, exit inverted.

AA-23.05 Torque Roll

From inverted, push through a quarter loop into a vertical upline, perform a torque roll, pull through a quarter loop, exit inverted

AA-23.06 Half Hourglass

From inverted, pull through a one eighth loop into a forty-five degree downline, push through a three eighths loop into a vertical upline, push through a three eighths loop into a forty-five degree downline, pull through a one eighth loop, exit upright.

AA-23.07 Rolling Circle

From upright, perform a rolling circle with one roll integrated, exit upright.

AA-23.08 Figure ET with half roll

From upright, pull through a one eighth loop into a forty-five-degree upline, perform a half roll, push through a five eighths loop into a vertical downline, pull through a quarter loop, exit upright.

AA-23.09 Crossbox Figure Z with quarter roll, half roll, quarter roll

From upright, in the center, perform a quarter roll into knife-edge flight, push through a three eighths knife-edge circle into a forty-five-degree cross box line, perform a half roll, push through a three eighths knife-edge circle, perform a quarter roll, exit upright.

AA-23.10 Stall Turn with quarter roll, quarter roll

From upright pull through a quarter loop into a vertical upline, perform a quarter roll, perform a stall turn into a vertical downline, perform a quarter roll, pull through a quarter loop exit upright.

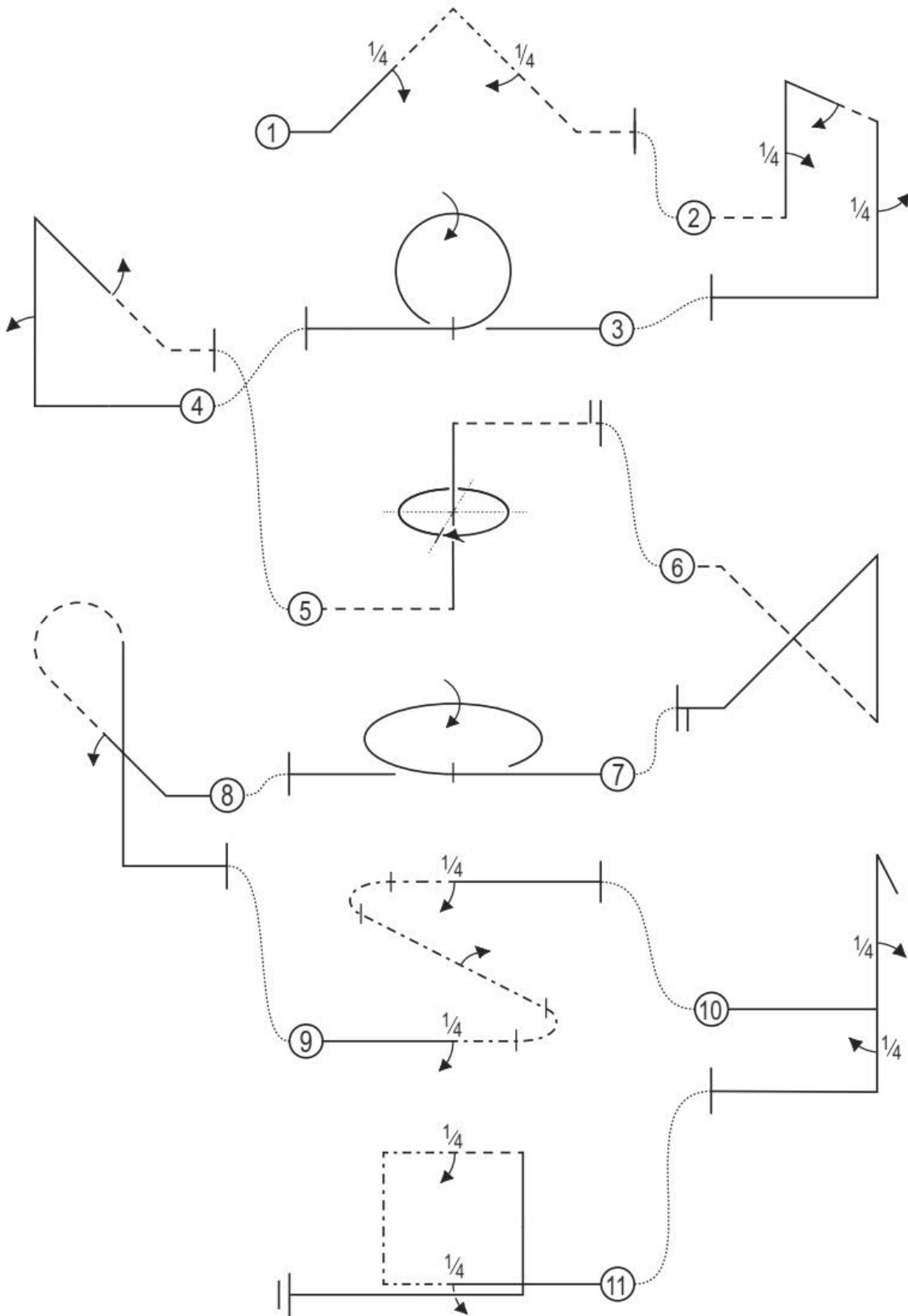
AA-23.11 Square Loop with quarter roll, quarter roll

From upright, in the center perform a quarter roll into knife-edge flight, perform a quarter knife-edge loop into a vertical upline, perform a quarter knife-edge loop, perform a quarter roll, pull through a quarter loop into a vertical downline, pull through a quarter loop, exit upright.

(Note: The manoeuvre is finished when the aircraft has crossed the center line.)

The Aresti diagram appears overleaf.

ADVANCED SCHEDULE AA-23 (2022-2023)



Preliminary Schedule AP-23 (2022-2023)**AP-23.01 Pyramid with quarter roll, half roll integrated, quarter roll**

From upright, pull through a one eighth loop into a forty-five degree upline, perform a quarter roll, perform a quarter knife-edge loop with integrated half roll into a forty-five-degree knife-edge downline, perform a quarter roll, push through a one eighth loop, exit inverted.

AP-23.02 Crossbox Top Hat with half roll, half roll, half roll

From inverted, push through a quarter loop into a vertical upline, perform a half roll, perform a quarter knife-edge loop into a crossbox knife-edge flight, perform a half roll, perform a quarter knife-edge loop into a vertical downline, perform a half roll, pull through a quarter loop, exit upright.

AP-23.03 Loop with half roll integrated, half roll in opposite direction integrated

From upright, pull through a loop while integrating a half roll into the first 180 degrees of the loop and a half roll in opposite direction to the first half roll into the second 180 degrees of the loop, exit upright.

AP-23.04 Shark Fin with quarter roll, half roll, quarter roll

From upright, perform a quarter roll into knife-edge flight, perform a quarter knife-edge loop into a vertical upline, perform a half roll, perform a three eighths knife-edge loop into a forty-five degree downline, perform a quarter roll, push through a one eighth loop, exit inverted.

AP-23.05 Three quarter Torque Roll, Upline, three Quarter Torque Roll in opposite direction

From inverted, push through a quarter loop into a vertical upline, perform a three quarter torque roll, followed by a vertical upline, perform a three quarter torque roll in opposite direction to the first torque roll, pull through a quarter loop, exit inverted.

AP-23.06 Half Hourglass with two consecutive quarter rolls, roll, half roll

From inverted, pull through a one eighth loop into a forty-five-degree downline, perform consecutively two quarter rolls, pull through a three eighths loop into a vertical upline, perform a roll, pull through a three eighths loop into a forty-five-degree downline, perform a half roll, pull through a one eighth loop, exit upright.

AP-23.07 Rolling Circle with two rolls in opposite directions

From upright, perform a rolling circle with two rolls in opposite directions integrated (first roll to the outside), exit upright.

AP-23.08 Figure ET with quarter roll, quarter roll

From upright, pull through a one eighth loop into a forty-five degree upline, perform a quarter roll, perform a five eighths knife-edge loop into a vertical downline, perform a quarter roll, pull through a quarter loop, exit upright.

AP-23.09 Crossbox Figure Z with quarter roll, four consecutive one eighth rolls, quarter roll

From upright, in the center, perform a quarter roll into knife-edge flight, push through a three eighths knife-edge circle into a forty-five degree cross box line, perform consecutively four one eighth rolls, push through a three eighths knife-edge circle, perform a quarter roll, exit inverted.

AP-23.10 Stall Turn with three quarter roll, quarter roll

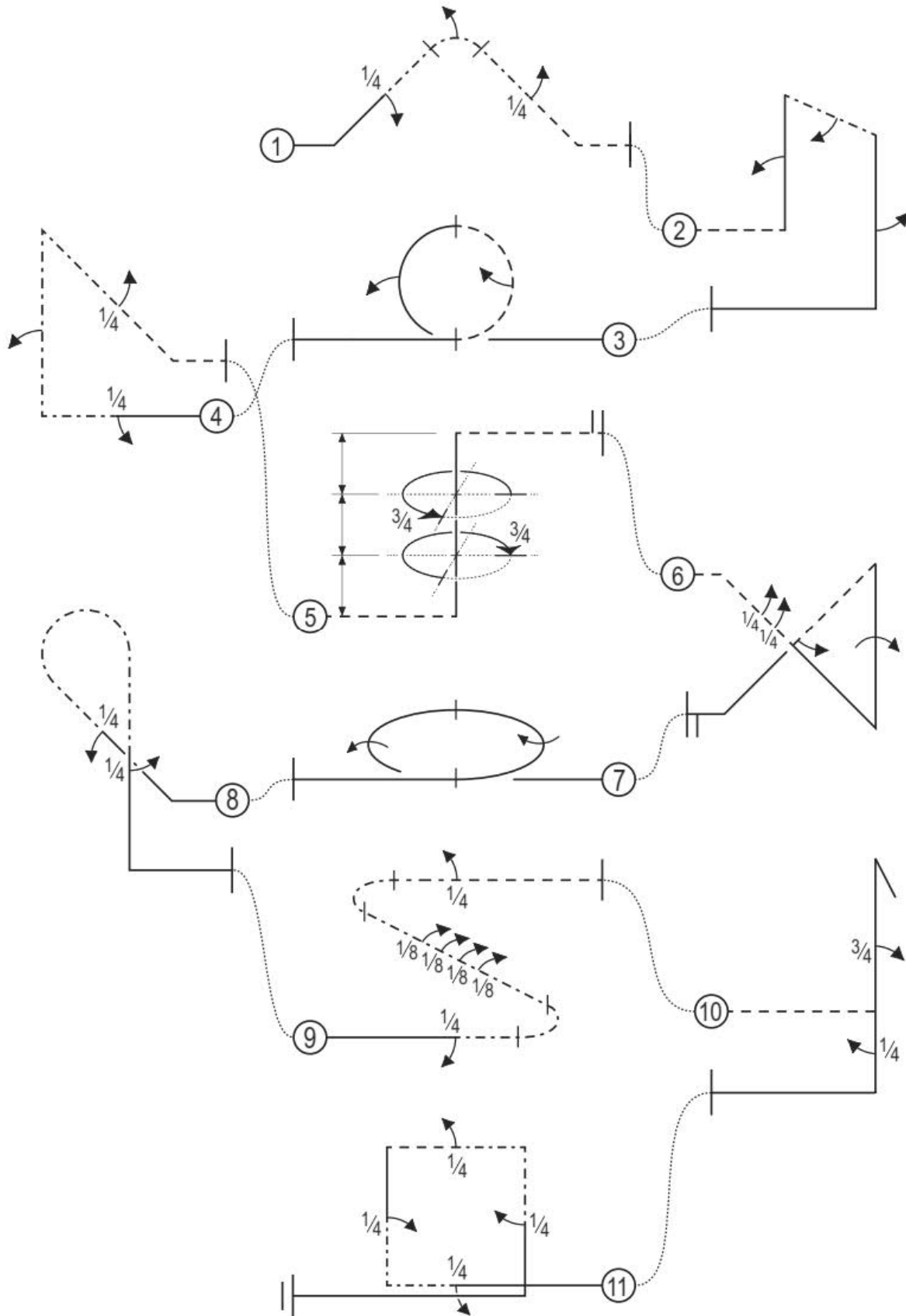
From inverted push through a quarter loop into a vertical upline, perform a three quarter roll, perform a stall turn into a vertical downline, perform a quarter roll, pull through a quarter loop exit upright.

AP-23.11 Square Loop with quarter roll, quarter roll, quarter roll, quarter roll

From upright, in the center perform a quarter roll into knife-edge flight, perform a quarter knife-edge loop into a vertical upline, perform a quarter roll, pull through a quarter loop, perform a quarter roll, perform a quarter knife-edge loop into a vertical downline, perform a quarter roll, pull through a quarter loop, exit upright.
(Note: The manoeuvre is finished when the aircraft has crossed the center line.)

The Aresti diagram appears overleaf.

PRELIMINARY SCHEDULE AP-23 (2022-2023)



Final Schedule AF-23 (2022-2023)**AF-23.01 Square Loop with half roll, quarter roll, two consecutive quarter rolls, quarter roll**

From upright, perform a half roll in the center, push through a quarter loop into a vertical upline, perform a quarter roll, perform a quarter knife-edge loop into knife-edge flight, perform consecutively two consecutive quarter rolls in the center, perform a quarter knife-edge loop into a vertical downline, perform a quarter roll, pull through a quarter loop, exit upright.

AF-23.02 Double Stall Turn with half roll, half roll, half roll

From upright, pull through a quarter loop into a vertical upline, perform a half roll, perform a stall turn into a vertical downline, perform a quarter knife-edge loop into a knife-edge crossbox line, perform a half roll, perform a quarter knife-edge loop into a vertical upline, perform a half roll, perform a stall turn into a vertical downline, push through a quarter loop, exit inverted.

AF-23.03 Double Humpty Bump with quarter roll, half roll integrated, quarter roll, quarter roll, half roll integrated, quarter roll

From inverted, before the center push through a quarter loop into a vertical upline, perform a quarter roll, perform a half knife-edge loop (towards the center) with integrated half roll into a vertical downline, perform a quarter roll, push through a half loop in the center into a vertical upline, perform a quarter roll, perform a half knife-edge loop (away from the center) with integrated half roll into a vertical downline, perform a quarter roll, push through a quarter loop, exit inverted.

AF-23.04 Half Square Loop with four consecutive one quarter torque rolls

From inverted, push through a quarter loop into a vertical upline, perform consecutively four one quarter torque rolls on same level, push through a quarter loop, exit upright.

AF-23.05 Loop Crossbox Circle Combination with half roll integrated, half roll integrated, half roll integrated, half roll integrated

From upright, push through a half loop, while integrating a half roll, perform a crossbox circle with two half rolls in opposite directions integrated, pull through a half loop, while integrating a half roll in opposite direction of the half roll in the first half loop, exit upright.

AF-23.06 Half Loop with two consecutive quarter rolls in opposite directions integrated

From upright push through a half loop while integrating consecutively two quarter rolls in opposite directions, exit inverted.

AF-23.07 Crossbox Top Hat with quarter roll, two consecutive one eighth rolls, two consecutive one eighth rolls in opposite direction, quarter roll

From inverted, push through a quarter loop into a vertical upline, perform a quarter roll, push through a quarter loop into a horizontal crossbox line, perform consecutively two one eighth rolls, followed by two consecutive one eighth rolls in opposite direction, push through a quarter loop into a vertical downline, perform a quarter roll, pull through a quarter loop, exit upright.

AF-23.08 Corner Combination with half roll integrated, quarter roll, half roll integrated

From upright, perform a quarter circle into a crossbox line, while integrating a half roll, push through a quarter loop into a vertical upline, perform a quarter roll, pull through a quarter loop while integrating a half roll, exit upright.

AF-23.09 Triangle with quarter roll, half roll integrated, quarter roll

From upright, fly past center, push through a three eighths loop into a forty-five degree downline, perform a quarter roll, perform a quarter knife-edge loop into a forty-five degree upline, while integrating a half roll, perform a quarter roll, push through a three eighths loop, exit upright.

AF-23.10 Reverse Shark Fin from Top with quarter roll, half roll, quarter roll

From upright, push through a one eighth loop into a forty-five degree downline, perform a quarter roll, perform a three eighths knife-edge loop into a vertical upline, perform a half roll, perform a quarter knife-edge loop, perform a quarter roll, exit upright.

AF-23.11 Triangle Crossbox Square Combination with quarter roll, three consecutive one eighth rolls, half roll, three consecutive one eighth rolls, quarter roll

From upright, push through a one eighth loop into a forty-five degree downline, perform a quarter roll, pull through a quarter knife-edge loop into a crossbox line with forty-five degree wing level,

cont/...

perform consecutively three one eighth rolls into knife-edge flight, push through a quarter knife-edge circle, perform a half roll, pull through a quarter knife-edge circle into a knife-edge crossbox line, perform consecutively three one eighth rolls into forty five degree wing level flight, push through a quarter knife-edge loop into a forty-five degree upline, perform a quarter roll, push through a one eighth loop, exit upright.

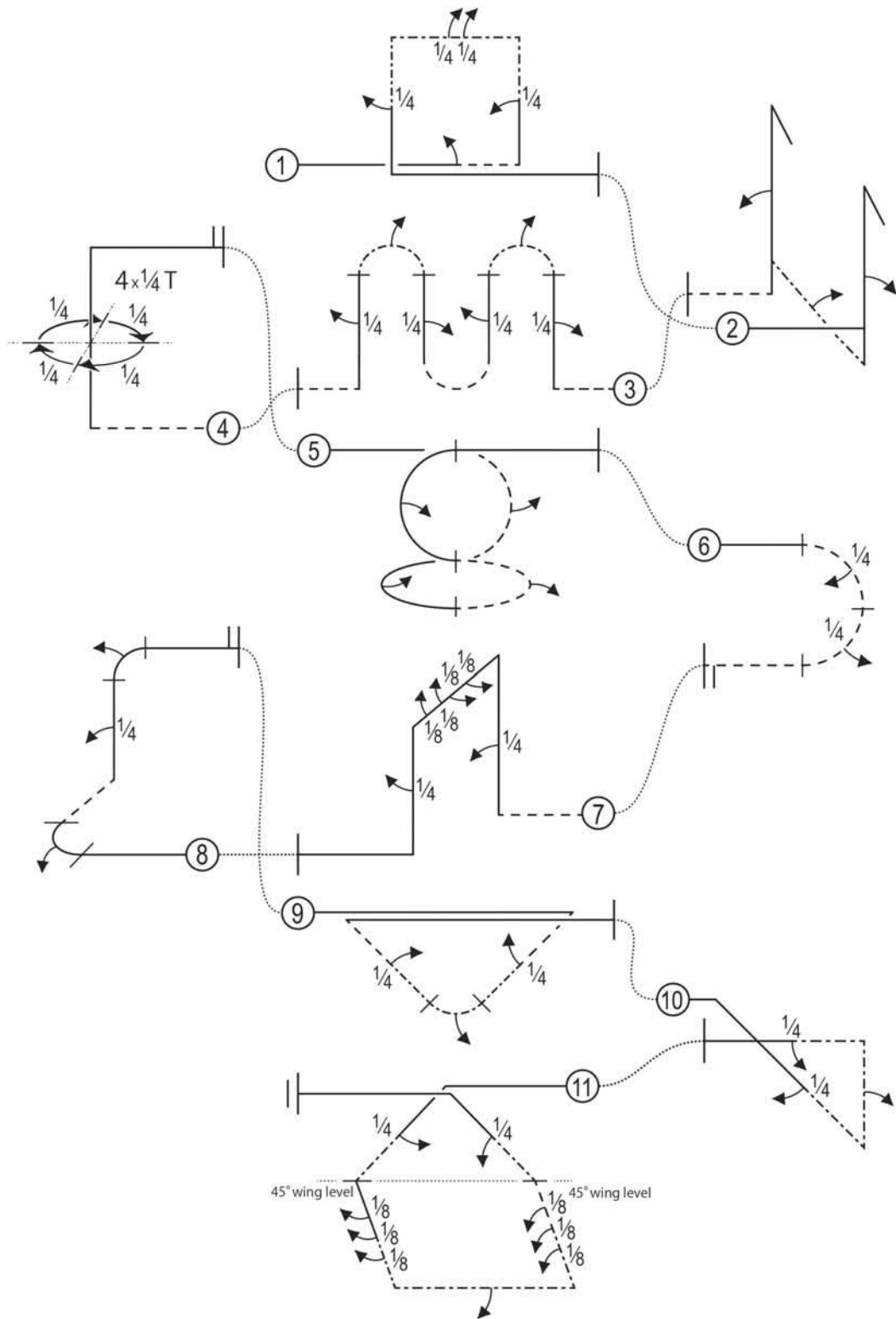
Option:

From upright, push through a one eighth loop into a forty-five degree downline, perform a quarter roll, push through a quarter knife-edge loop into a crossbox line with forty-five degree wing level, perform consecutively three one eighth rolls into knife-edge flight, pull through a quarter knife-edge circle, perform a half roll, push through a quarter knife-edge circle into a knife-edge crossbox line, perform consecutively three one eighth rolls into forty five degree wing level flight, pull through a quarter knife-edge loop into a forty-five degree upline, perform a quarter roll, push through a one eighth loop, exit upright.

Note: Exit starts in the center.

The Aresti diagram appears on the following page.

FINAL SCHEDULE AF-23 (2022-2023)



© CIAM F3 Aerobatics
 Drawings by Ken Hirose
 Nov. 2020